

应用场所 Application

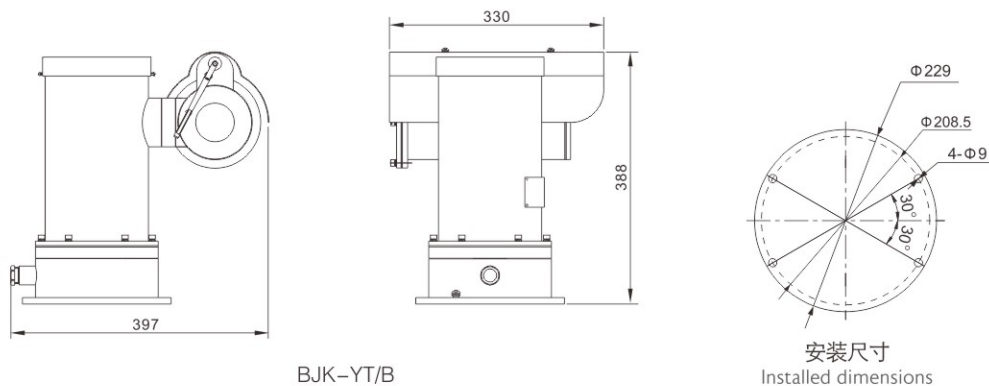
- 广泛应用于海洋工程各类作业平台、各类化学品、天然气运输船、危险品码头等危险区域作监控之用；
- 可在潮湿、振动、腐蚀等恶劣环境中可靠工作；
- 适用于爆炸性危险环境1区、2区、21区、22区等场所。
- Widely used for the supervisory control on various marine platforms, chemical tankers, LNG ships and hazardous cargo wharfs, etc..
- Can reliably work in severe environment exposed in moisture, vibration or corrosion;
- Explosive hazardous atmosphere Zone 1, Zone 2, Zone 21, Zone 22.



产品特性 Features

- 外壳采用不锈钢材料制造；
- 一体化结构设计，防护罩、云台、解码器、网络摄像机高度集成，标配一体化IP网络数字高清摄像机机芯；
- 支持传统模拟及网络高清摄像机机芯；
- 支持10M/100M网络接口；
- 360°水平连续旋转，-90°~+90°垂直转动；
- 水平转动速度：0.1°/s~42°/s，垂直转动速度：0.1°/s~42°/s；
- 具有预置位功能，通过设置菜单能够实现自动巡航、花样扫描等高级功能；
- 防护等级达到IP68；
- 室内、室外安装，全天候使用；
- 可采用支架、基座、立柱、塔式等安装方式。
- The enclosure is made of stainless steel;
- Integrated structure design, with highly integrated protective cover, pan-tilt head, decoder, and network camera, as well as integrated standard IP digital HD camera unit;
- Compatible with traditional analog and IP HD camera unit;
- Compatible with 10M/100M network interface;
- 360° horizontal continuous rotation, and -90°~+90° vertical rotation;
- Horizontal rotation speed: 0.1°/s-42°/s, and vertical rotation speed: 0.1°/s-42°/s;
- Preset function, realizing advanced functions such as automatic cruise and pattern scanning through the setting menus;
- Protection rating up to IP68;
- Suitable for indoor and outdoor installation, and all-weather-proof;
- It can be installed by brackets, on base, upright posts, towers, etc.

外形尺寸 Outline dimension



技术参数 Technical parameters

参数 Parameters	BJK-YT/B 2020	BJK-YT/B 2030	BJK-YT/B 4030
防爆参数 Explosion-proof parameters			
执行标准 Executive standards	GB/T 3836.1、GB/T 3836.2、GB/T 3836.31、IEC 60079-0、IEC 60079-1、IEC 60079-31、EN 60079-0、EN 60079-1、EN 60079-31		
防爆标志 Explosion-proof mark	Ex db II C T6 Gb / Ex tb IIIC T80°C Db		
防护等级 Protection rating	IP68		
防腐等级 Corrosion-proof grade	WF2		
机械指标 Mechanical indicators			
材质 Material	304不锈钢或者316L 304 stainless steel or 316L		
水平转动 Horizontal rotation	360°连续旋转 360° continuous rotation		
垂直转动 Vertical rotation	-90°~+ 90°		
水平转动速度 Horizontal rotation speed	0.1°/s ~ 42°/s		
垂直转动速度 Vertical rotation speed	0.1°/s ~ 42°/s		
电气指标 Electrical indicators			
输入电压 Input voltage	176VAC~264VAC		
功耗 Power consumption	常规≤70W；加热器开启时≤100W ≤70W generally; ≤100W when the heater is turned on		
预置位 Preset points	256个 256 (nos.)		
预置位精度 Accuracy of preset points	±0.1°		
自动加热 Automatic heating	温度低于8°C ±5°C时启动自动加热 When the temperature is lower than 8°C±5°C, automatic heating will be started		
产品重量 Weight	30kg		
摄像机 Camera			
图像传感器 Image sensor	1/2.8" progressive Scan CMOS	1/2.8英寸CMOS 1/2.8" CMOS	1/2.8英寸CMOS 1/2.8" CMOS
传感器总像素 Total pixels of sensor	200万像素 2 million pixels	200万像素 2 million pixels	400万像素 4 million pixels
最低照度 Minimum illumination	彩色：≤0.001lx(AGC ON) 黑白：≤0.0001lx(AGC ON); Color: ≤0.001 lx (AGC ON) Black and white: ≤0.0001 lx (AGC ON);	彩色：≤0.001lx(AGC ON) 黑白：≤0.0001lx(AGC ON); Color: ≤0.001 lx (AGC ON) Black and white: ≤0.0001 lx (AGC ON);	彩色：≤0.001lx(AGC ON) 黑白：≤0.0001lx(AGC ON); Color: ≤0.001 lx (AGC ON) Black and white: ≤0.0001 lx (AGC ON);
光学变倍 Optical zoom	25倍 25 times	30倍 30 times	30倍 30 times
视频编码格式 Video encoding format	H.265/H.264/MJPEG	H.265/H.264/MJPEG	H.265/H.264