

## 应用场所 Application

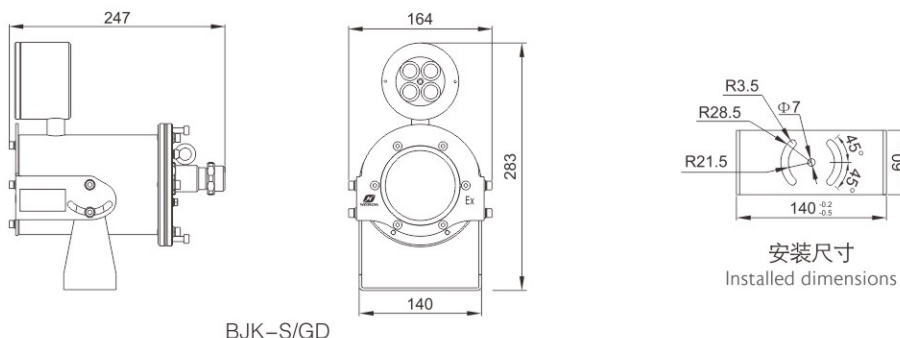
- 广泛应用于海洋工程各类作业平台、各类化学品、天然气运输船、危险品码头等危险区域作监控之用；
- 可在潮湿、振动、腐蚀等恶劣环境中可靠工作；
- 适用于爆炸性危险环境1区、2区、21区、22区等场所。
- Widely used for the supervisory control on various marine platforms, chemical tankers, LNG ships and hazardous cargo wharfs, etc..
- Can reliably work in severe environment exposed in moisture, vibration or corrosion;
- Explosive hazardous atmosphere Zone 1, Zone 2, Zone 21, Zone 22.



## 产品特性 Features

- 防爆摄像机采用隔爆型结构，带红外补光功能，内部根据用户使用要求可以安装带定焦或变焦镜头的摄像机，也可以安装一体化摄像机，通过系统组合后实现现场扫描传送、即时摄像传送或即时录影储存、远端网上传输图像等功能；
- 壳体材质选用优质不锈钢，具有防水、防尘、防腐、耐高温、耐老化的性能；
- 防爆处理采用止口接合面，防爆性能可靠；
- 前端玻璃采用高透光率钢化平板玻璃，成像清晰无变形；
- 可选配智能加热和降温装置，当温度高于 $25^{\circ}\text{C} \pm 5^{\circ}\text{C}$ 时散热风扇自动工作；温度低于 $8^{\circ}\text{C} \pm 5^{\circ}\text{C}$ 时加热元件自动工作，保证腔内部温度；
- 防护等级IP68，适合室内、室外安装，全天候使用；
- 可选配：安装附件 ZJ001壁装支架。
- The explosion-proof camera adopts an explosion-proof construction, inside which camera with prime or zoom lens or an integrated camera can be installed according to user requirements. After assembled, it can realize on-site scanning transmission, instant camera transmission or instant video storage, remote network transmission of images and other functions;
- The enclosure is made of high-quality stainless steel, which provides waterproof, dustproof, anticorrosive protection, high temperature resistance and aging resistance;
- Seam joint surface is adopted for anti-explosion protection, offering reliable anti-explosion performance;
- High transmittance tempered flat glass is used as the front glass, realizing clear imaging without distortion;
- Intelligent heating and cooling devices are optional inside. When the temperature is higher than  $25^{\circ}\text{C} \pm 5^{\circ}\text{C}$ , the radiator fan will work automatically; when the temperature is lower than  $8^{\circ}\text{C} \pm 5^{\circ}\text{C}$ , the heating element will run automatically to ensure the internal temperature of the chamber;
- Protection rating of IP68, suitable for indoor and outdoor installation, and all-weather-proof;
- Optional: the installation accessory ZJ001 wall mount bracket.

## 外形尺寸 Outline dimension



## 技术参数 Technical parameters

参数 Parameters	BJK-S/GD 2004	BJK-S/GD 3004	BJK-S/GD 4004
<b>防爆参数 Explosion-proof parameters</b>			
执行标准 Executive standards	GB/T 3836.1、GB/T 3836.2、GB/T 3836.31、IEC 60079-0、IEC 60079-1、IEC 60079-31、EN 60079-0、EN 60079-1、EN 60079-31		
防爆标志 Explosion-proof mark	Ex db IIC T6 Gb / Ex tb IIIC T80°C Db		
防护等级 Protection rating	IP68		
防腐等级 Corrosion-proof grade	WF2		
<b>机械指标 Mechanical indicators</b>			
材质 Material	304不锈钢或者316L 304 stainless steel or 316L		
水平转动 Horizontal rotation	水平30°手动调整 30°(horizontally) by manual adjustment		
垂直转动 Vertical rotation	±60°手动调整 ±60° by manual adjustment		
安装方式 Installation methods	固定支架、底座、立柱 Fixing brackets, base, upright posts		
<b>红外灯组件 Infrared lamp assembly</b>			
光源形式 Light source form	红外LED Infrared LED		
投射距离 Projection distance	30m、50m、100m		
投射角度 Projection angle	10°、15°、25°		
波长 Wavelength	850nm		
控制方式 Control mode	自动 Automatic		
<b>电气指标 Electrical indicators</b>			
输入电压 Input voltage	12V DC / 220V AC		
环境温度 Ambient temperature	-40°C~+60°C		
通头 Through head	标准配置规格为2×M20×1.5，其它规格请注明 The standard configuration specification is 2×M20×1.5, and other specifications if used shall be specified		
电缆外径 Cable OD	适合Φ6.5mm~Φ14.5mm电缆 Suitable for Φ6.5mm~Φ14.5mm cables		
产品重量 Weight	5.8kg		
<b>摄像机 Camera</b>			
传感器类型 Sensor type	1/2.8" progressive Scan CMOS	1/2.8英寸CMOS 1/2.8" CMOS	1/2.7英寸CMOS 1/2.7" CMOS
最大分辨率 Maximum resolution	200W	300W	400W
日夜转换 Day/Night function	ICR滤片式 ICR filter	IR-CUT自动切换 IR-CUT automatic switching	IR-CUT自动切换 IR-CUT automatic switching
最低照度 Minimum illumination	彩色: ≤0.001lx(AGC ON) 黑白: ≤0.0001lx(AGC ON); Color: ≤ 0.001 lx (AGC ON) Black and white: ≤0.0001 lx (AGC ON);	彩色: ≤0.001lx(AGC ON) 黑白: ≤0.0001lx(AGC ON); Color: ≤ 0.001 lx (AGC ON) Black and white: ≤0.0001 lx (AGC ON);	彩色: ≤0.001lx(AGC ON) 黑白: ≤0.0001lx(AGC ON); Color: ≤ 0.001 lx (AGC ON) Black and white: ≤0.0001 lx (AGC ON);