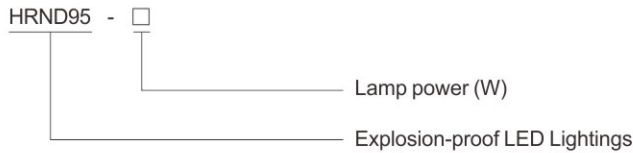


## LED Light Fittings HRND95 Series Explosion-proof LED Lightings



- ◆ Explosion protection to
  - GENELEC
  - IEC
  - NEC
- ◆ Can be used in
  - Zone 2
  - Zone 22
  - Class I, Zone 2
  - Class I, Division 2, Groups A, B, C, D
- ◆ Applicable lamp and power (max.300W)  
LED: 40W, 60W, 80W, 120W, 160W, 200W, 240W, 300W
- ◆ International brand white light LED, reasonable arrangement of multi LED, high lighting efficiency and long service life.
- ◆ Two types of light distribution: spotlight and floodlight, which can be selected on request.
- ◆ Standard luminaries equip with 60° lens, without lens and 30° lens which are optional, please indicate when placing an order.
- ◆ Standard luminaries do not equip with external lampshade, if need, please specify.
- ◆ Low-maintenance due to long service life is up to 100,000 operating hours.

### Catalogue number logic



### Selection table

Type/Ordering code	Lamp power (W)	Weight (kg)	Type/Ordering code	Lamp power (W)	Weight (kg)
HRND95-40	40	3.50	HRND95-160	160	9.50
HRND95-60	60	4.00	HRND95-200	200	10.00
HRND95-80	80	6.00	HRND95-240	240	16.50
HRND95-120	120	6.50	HRND95-300	300	17.00

**Note:** 1. Standard products with 60° lens, without lens and 30° lens which are optional, please indicate when placing an order.  
2. Standard luminaries do not equip with external lampshade if need, please specify.

# Zones 2; 22

## LED Light Fittings

### HRND95 Series Explosion-proof LED Lightings



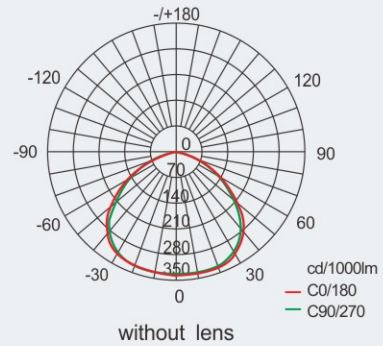
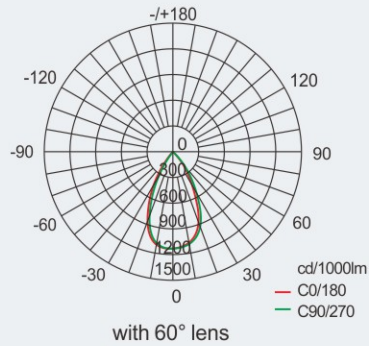
Technical data	
Explosion-proof LED Lightings HRND95-□	
<b>Explosion protection</b>	
Global (IECEX)	IECEX EUT 18.0002X
Gas and dust	Ex nR IIC T□ <sup>1)</sup> Gc Ex tc IIIC T□ <sup>1)</sup> Dc IP66
Europe (ATEX)	EPTI 18 ATEX 0346 X
Gas and dust	⊕ II 3 G Ex nR IIC T□ <sup>1)</sup> Gc ⊕ II 3 D Ex tc IIIC T□ <sup>1)</sup> Dc IP66 <sup>1)</sup> See Selection Table
<b>Certificates</b>	IECEX; ATEX; CU-TR
<b>Conformity to standards</b>	EN 60079-0, EN 60079-15, EN 60079-31 IEC 60079-0, IEC 60079-15, IEC 60079-31
<b>Material</b>	
Enclosure	Copper-free Aluminium Alloy, powder coated surface,
Glass cover	Toughened glass, stands 4J impact
LED driver	Wide voltage input, CC-CV (constant current - constant voltage) output, power factor ≥ 0.95, with function of distributed current, constant current, surge-proof and anti-electromagnetic interference, and protection against overcurrent, open circuit, and short circuit.
Exposed fastener	Stainless steel
<b>Lamp</b>	
Lamp specification	LED module, Multiple LED
Lamp power (W)	40W, 60W, 80W, 120W, 160W, 200W, 240W, 300W
Colour rendering index (Ra)	≥ 80
Colour temperature (CCT)	5000K Note: nature white is available in general. Warm white is optional, please specify when ordering.
<b>Rated voltage</b>	100~277V AC 50/60Hz, 130~250V DC
<b>Degree of protection</b>	IP66
<b>Ambient temperature</b>	-40℃ ~ +55℃
<b>Terminal</b>	3 x 1.5~4mm <sup>2</sup> (L+N+PE)
<b>Cable entries</b>	1x M20 x 1.5 cable gland (DQM-I Ex e)

Selection table				
Rated power(W)	Temperature classification			
	-40℃ ≤ Ta ≤ +40℃		-40℃ ≤ Ta ≤ +55℃	
	Gas	Dust	Gas	Dust
40, 80	T6	T80℃	T6	T80℃
60, 120, 160, 200, 240, 300			T5	T95℃

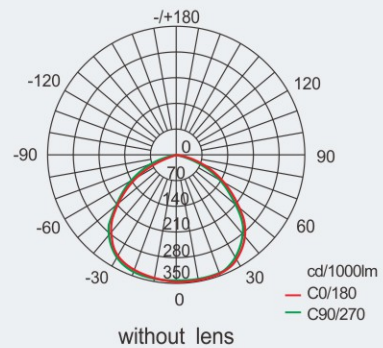
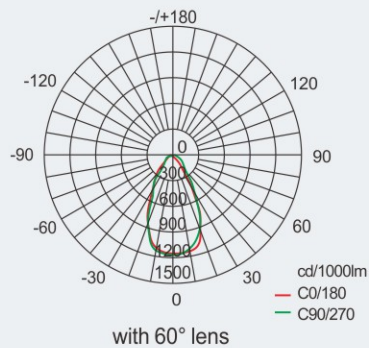
## LED Light Fittings HRND95 Series Explosion-proof LED Lightings

**Photometric data** Note: Standard products without lens, 30° lens and 60° lens which are optional, please indicate when placing an order.

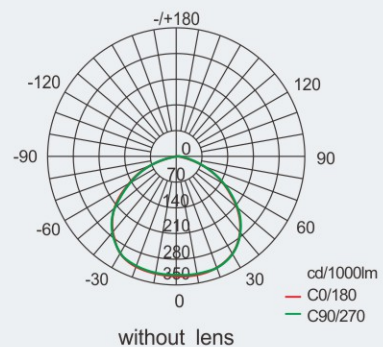
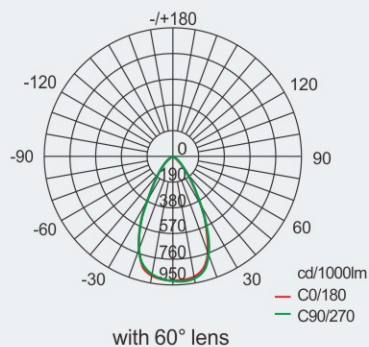
Lamp power (W)	Luminous flux	Wattage
40W	4800lm	40W
60W	7200lm	60W



Lamp power (W)	Luminous flux	Wattage
80W	9900lm	80W
120W	15000lm	121W



Lamp power (W)	Luminous flux	Wattage
160W	19800lm	160W
200W	22450lm	200.5W

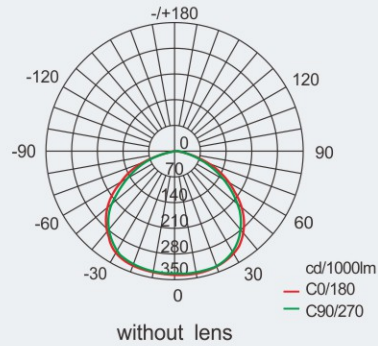
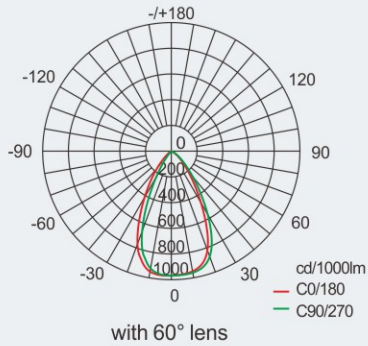


We can provide lighting design and data by professional lighting software DIALUX based upon simulated site situation on request.

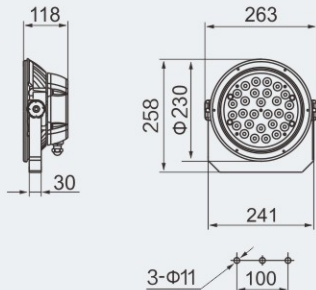
## LED Light Fittings HRND95 Series Explosion-proof LED Lightings

**Photometric data** Note: Standard products without lens, 30° lens and 60° lens which are optional, please indicate when placing an order.

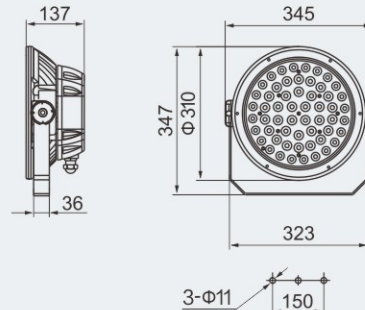
Lamp power (W)	Luminous flux	Wattage
240W	28300lm	240W
300W	37200lm	300W



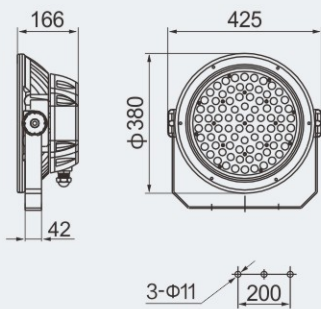
**Dimension drawings** (all dimensions in mm) - subject to alteration



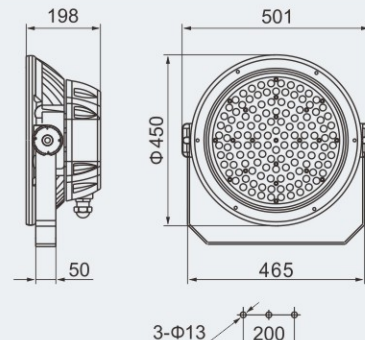
HRND95-40 / HRND95-60



HRND95-80 / HRND95-120



HRND95-160 / HRND95-200



HRND95-240 / HRND95-300



### Accessories

Picture	Name	Ordering code	Weight (kg)
	40W/60W Reflector	95001	0.23
	80W/120W Reflector	95002	0.39
	160W/200W Reflector	95003	0.45
	240W/300W Reflector	95004	0.69