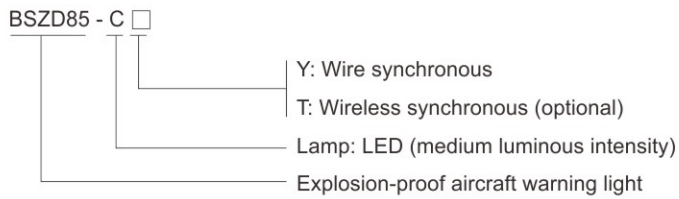


Local, Caution Spotlight Fittings BSZD85-C Series Explosion-proof Medium Intensity Aircraft Warning Light



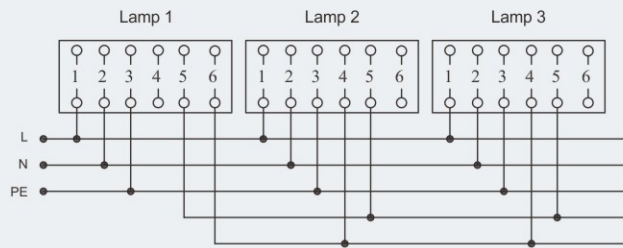
- ◆ Explosion protection to
 - CENELEC
 - IEC
 - NEC
- ◆ Can be used in
 - Zone 1 and Zone 2
 - Zone 21 and Zone 22
 - Class I, Zone 1 and Zone 2
 - Class I, Division 2, Groups A, B, C, D
- ◆ Ultra-bright LED lamp, low consumption and long service life up to 30,000 hours, integrated chip control with various circuit protection.
- ◆ Synchronous flashing of light fittings through signal lines.
- ◆ Enclosure in Copper-free Aluminium Alloy, powder coated surface, yellow (RAL1021).

Catalogue number logic

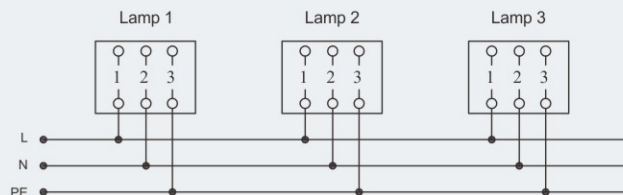


Wired sync connection diagram

Y: Wire synchronous



T: Wireless synchronous (optional)



Zones 1&2; 21&22

Local, Caution Spotlight Fittings

BSZD85-C Series Explosion-proof Medium Intensity Aircraft Warning Light

Technical data

Explosion-proof medium intensity aircraft warning light BSZD85-C □

Explosion protection

Global (IECEX)
Gas and dust

IECEX (applied for)
Ex db eb ib IIC T6 Gb
Ex tb IIIC T80°C Db

Europe (ATEX)
Gas and dust

ATEX (applied for)
Ⓔ II 2 G Ex db eb ib IIC T6 Gb
Ⓔ II 2 D Ex tb IIIC T80°C Db

Certificates

IECEX; ATEX

Conformity to standards

EN 60079-0, EN 60079-1, EN 60079-7, EN 60079-11, EN 60079-31
IEC 60079-0, IEC 60079-1, IEC 60079-7, IEC 60079-11, IEC 60079-31
International Civil Aviation Organization Certification: ICAO
International Civil Aviation Organization (ICAO)

Certificates

Conformity to standard

Verification number

104416588CRT-001TVOC

Optical requirements

horizontal beam spread 360°, normal beam spread $\geq 3^\circ$;
when the angle of elevation is between -1° ~ 2° or 0° ,
the light intensity $2500\text{cd} \geq I \geq 1500\text{cd}$, other angles $2500\text{cd} \geq I \geq 750\text{cd}$.

Material

Enclosure
Transparent cover
Exposed fastener

Copper-free Aluminium Alloy, powder coated surface, yellow (RAL1021)
Toughened glass, stands 4J impact
Stainless steel

Rated voltage

100~277V AC/DC, 12~48V AC/DC

Lamp

Lamp specification
Lamp power (W)

LED
 $< 40\text{W}$ (continuous work)

Lamp colour

Red

Max. luminous intensity value

$> 2000\text{cd}$

Flash frequency

20~60 (times/min)

Earthing protection

M5 (internal & external earth bolts)

Degree of protection

IP66

Ambient temperature

$-40^\circ\text{C} \sim +53^\circ\text{C}$

Terminal

$3 \times 1.5 \sim 2.5\text{mm}^2$ (L+N+PE)

Cable entries

$4 \times \text{M}25 \times 1.5$ plugs

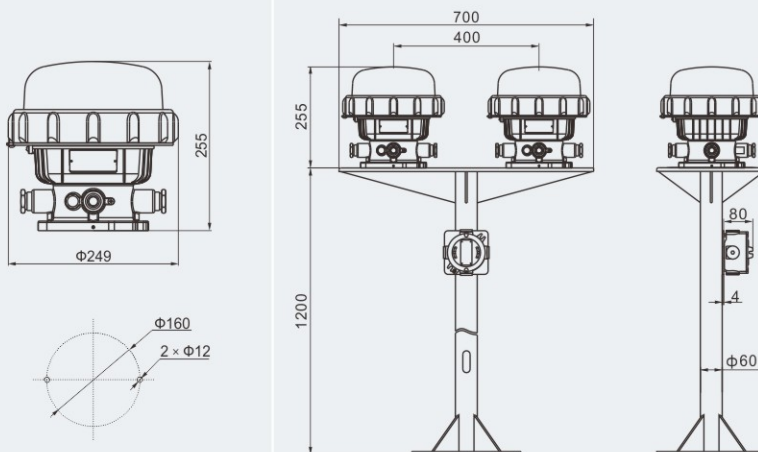
Cable gland (optional)

BPT

Weight

6.0kg

Dimension drawings (all dimensions in mm) - subject to alteration



Drawings of main (spare) caution spotlight fittings

Note: The light fitting consists of two completely independent photoelectric control systems which can control the main and spare lamps respectively. Generally, the main lamp is used for night lighting, and it will be shut down automatically during the day. If the main lamp is damaged, the spare lamp will be started automatically to be substituted for main lamp.

