

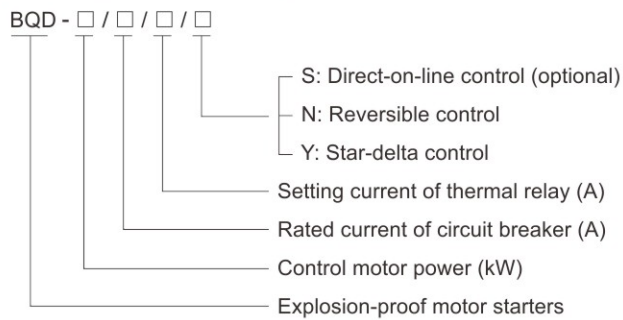
Standard Motor Starters

BQD Series Explosion-proof Motor Starters (Ex d e IIC)



- ◆ Explosion protection to
 - CENELEC
 - IEC
 - NEC
- ◆ Can be used in
 - Zone 1 and Zone 2
 - Class I, Zone 1 and Zone 2
 - Class I, Division 2, Groups A, B, C, D
- ◆ Classified as IIC according to gas atmosphere.
- ◆ Different motor starters.
- ◆ Copper-free Aluminium Alloy enclosure, powder coated surface.

■ Catalogue number logic



■ Note

1. Please select the model by Catalogue number logic above, and specify all technical data;
2. Please specify Ex-mark when ordering;
3. Entry size, entry direction, enclosure material, etc. on request.

Zones 1&2

Standard Motor Starters

BQD Series Explosion-proof Motor Starters (Ex d e IIC)

Technical data

Explosion-proof motor starters (direct-on-line control) BQD-□/□/□

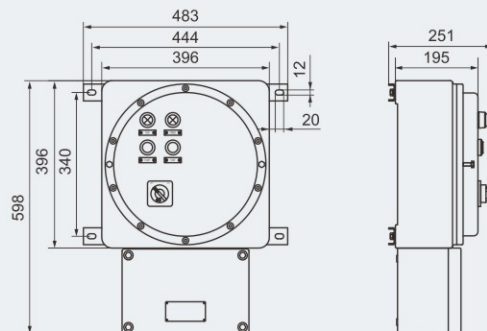
Explosion protection	IECEX CQM 11.0017X
Global (IECEX)	Ex d e IIC T6 Gb
Gas and dust	LCIE 10 ATEX 3075
Europe (ATEX)	Ⓔ II 2 G Ex d e IIC T6
Gas and dust	IECEX; ATEX
Certificates	EN 60079-0, EN 60079-1, EN 60079-7
Conformity to standards	IEC 60079-0, IEC 60079-1, IEC 60079-7
Enclosure material	Copper-free Aluminium Alloy, powder coated surface
Enclosure colour	Window grey (RAL7040)
Exposed fastener	Stainless steel
Components	MCB (miniature circuit breaker) AC contactor Thermal overload relay Indicator, pushbutton
Rated voltage	380/400V AC 50/60Hz
Degree of protection	IP65
Internal&external earthing	M6/M6
Ambient temperature	-20°C~+55°C
Cable entries	Standard M□ x 1.5 plug; See Selection table as below
Cable gland (optional)	DQM-I (Ex e) is recommended. Please see P7/17~19
Entry direction	Bottom

Selection table

Version	Control motor power (kW)	Rated current of circuit breaker (A)	Adjustable range of setting current of thermal relay (A)	Rated current of contactor (A)	Cable entry size	Enclosure weight (kg)
BQD-4/10/7~10	4	10	7~10, Ie=9	12	2 x M25 x 1.5	33.00
BQD-5.5/16/9~13	5.5	16	9~13, Ie=12	18	2 x M25 x 1.5	33.00
BQD-7.5/20/12~18	7.5	20	12~18, Ie=17	25	2 x M25 x 1.5	33.00
BQD-11/32/16~24	11	32	16~24, Ie=21	32	2 x M32 x 1.5	33.00
BQD-15/40/30~40	15	40	30~40, Ie=32	40	2 x M32 x 1.5	33.00
BQD-18.5/50/37~50	18.5	50	37~50, Ie=40	50	2 x M40 x 1.5	33.00
BQD-22/63/37~50	22	63	37~50, Ie=48	65	2 x M40 x 1.5	33.00



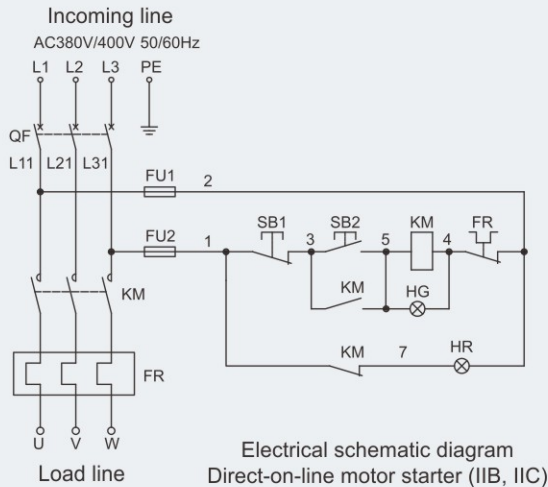
Dimension drawings (all dimensions in mm) - subject to alteration



4kW-22kW

Standard Motor Starters BQD Series Explosion-proof Motor Starters (Ex d e IIC)

Electrical schematic diagram



Code of electric components

QF: circuit breaker

KM: AC contactor

FR: thermal relay

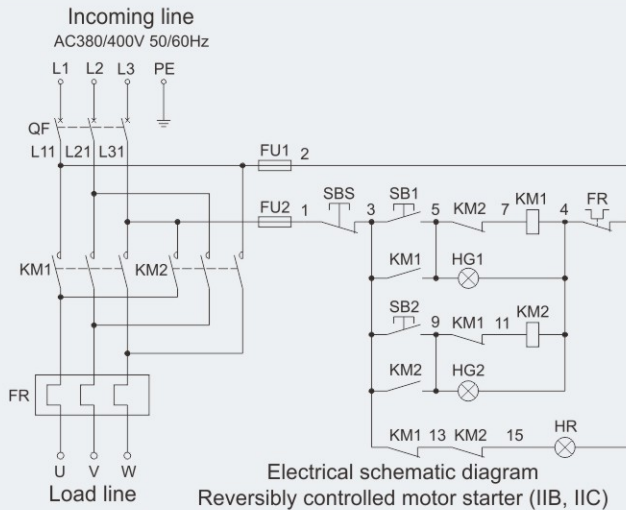
FU1, FU2: fuse

SB1: stop button

SB2: start button

HR: stop indicator

HG: running indicator



Code of electric components

QF: circuit breaker

KM1, KM2: AC contactor

FR: thermal relay

FU1, FU2: fuse

SBS: stop button

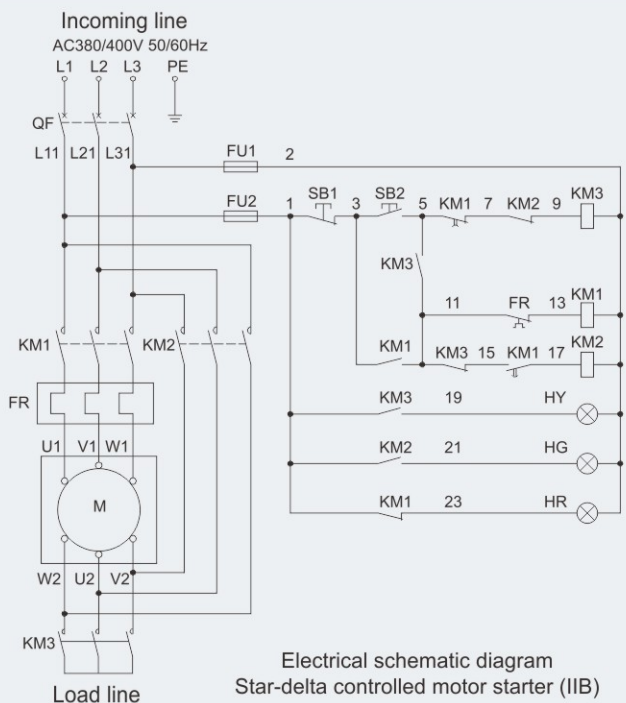
SB1: non-reversible start button

SB2: reversible start button

HR: stop indicator

HG1: non-reversible running indicator

HG2: reversible running indicator



Code of electric components

QF: circuit breaker

KM1: main contactor

KM3: star start contactor

KM2: delta running contactor

FR: thermal relay

FU1, FU2: fuse

SB1: stop button

SB2: start button

HR: stop indicator

HY: star start indicator

HG: delta running indicator

