

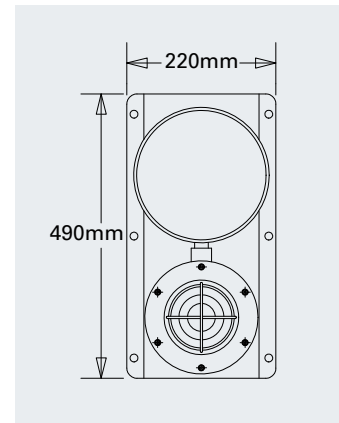
Hazardous area status lights and combination units

DB3B/XB11

Ex d sounder / 5 joule beacon combination unit



Certification	ATEX, IECEx, cULus, TR CU, CQST, INMETRO, CCOE
Area certification	Zone 1, 2, 21, 22, weatherproof
ATEX/IEC classification	Ex II 2GD, Ex d IIB T4/T5/T6 Gb Ex tb IIIC T135°C/T100°C/T85°C Db*
UL/NEC classification	Class I, Div. 2, Groups C, D
Approvals	Russian fire approval
Certified temperature	-55°C to +70°C
Ingress protection	IP66 & IP67, NEMA 4X & 6
Materials	Body: corrosion free GRP. Flare: thermoplastic
Entries	1 x M20 or ½" NPT customer entry Note: Customer entries are in the beacon
Voltage	24-48Vdc, 110-240Vac
Sound output	Max: 122dB*, 1m (±3dB)
Tones	28
Stages	3
Light source	Xenon
Options	Body, lens & flare colour, lens guard, flash rate, earth continuity, tel. initiate, flare type, labels

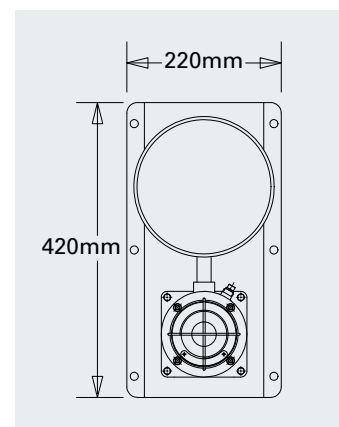


DB3B/SM87HXB

Ex d sounder / 5 joule beacon combination unit



Certification	ATEX, IECEx, cULus, TR CU, CQST, INMETRO, CCOE
Area classification	Zone 1, 2, 21, 22, weatherproof
ATEX/IEC classification	Ex II 2GD, Ex d IIC T4/T5/T6 Gb Ex tb IIIC T135°C/T100°C/T85°C Db*
UL/NEC classification	Class I, Div. 1, Groups C, D
Approvals	SIL1, Russian fire approval
Certified temperature	-55°C to +70°C
Ingress protection	IP66 & IP67, NEMA 4X & 6
Materials	Beacon body: stainless steel or alloy Sounder body: corrosion free GRP Flare: thermoplastic
Entries	Up to 3 x M20 or ½" NPT customer entries Note: Customer entries are in the beacon
Voltage	24-48Vdc, 110-254Vac
Sound output	Max: 122dB*, 1m (±3dB)
Tones	28
Stages	3
Light source	Xenon
Options	Body, lens & flare colour, lens guard, flash rate, earth continuity, tel. initiate, flare type, labels



*Model dependent