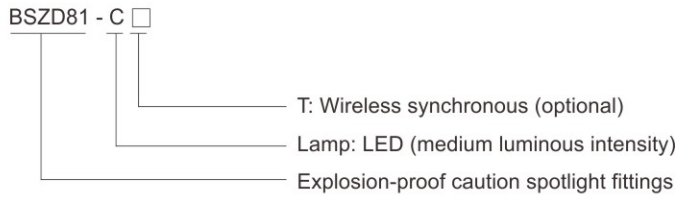


Local, Caution Spotlight Fittings BSZD81-C Series Explosion-proof Caution Spotlight Fittings

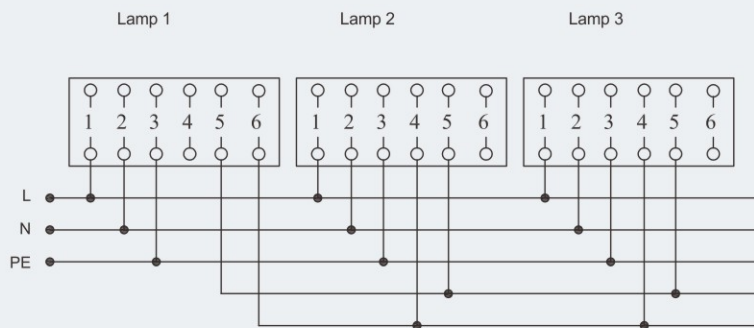


- ◆ Explosion protection to
 - CENELEC
 - IEC
 - NEC
- ◆ Can be used in
 - Zone 1 and Zone 2
 - Zone 21 and Zone 22
 - Class I, Zone 1 and Zone 2
 - Class I, Division 2, Groups A, B, C, D
- ◆ Ultra-bright LED lamp, low consumption and long service life up to 30,000 hours, integrated chip control with various circuit protection.
- ◆ Synchronous flashing of light fittings through signal lines.
- ◆ Enclosure in Copper-free Aluminium Alloy, powder coated surface, yellow (RAL1021).

Catalogue number logic



Wired sync connection diagram



Zones 1&2; 21&22

Local, Caution Spotlight Fittings

BSZD81-C Series Explosion-proof Caution Spotlight Fittings

Technical data

Explosion-proof caution spotlight fittings BSZD81-C □

Explosion protection

Global (IECEX)
Gas and dust

IECEX CQM 11.0026X
Ex d e IIC T6 Gb
Ex tb IIIC T80°C Db IP65

Europe (ATEX)
Gas and dust

EUT 14 ATEX 1155
⊕ II 2 G Ex d e IIC T6 Gb
⊕ II 2 D Ex tb IIIC T80°C Db IP65

Certificates

Conformity to standards

IECEX; ATEX; CU-TR
EN 60079-0, EN 60079-1, EN 60079-7, EN 60079-31
IEC 60079-0, IEC 60079-1, IEC 60079-7, IEC 60079-31

Material

Enclosure
Transparent cover
Exposed fastener

Copper-free Aluminium Alloy, powder coated surface, yellow (RAL1021)
Toughened glass, stands 4J impact
Stainless steel

Rated voltage

100V, 110V, 120V, 127V, 220V, 230V, 240V AC 50/60Hz

Lamp

Lamp specification
Lamp power (W)

LED
40W (continuous work)

Lamp colour

Red

Max. luminous intensity value

> 2000cd

Flash frequency

16, 20, 30, 40, 60, 80, 120, 240 (times/min)

Earthing protection

M5 (internal & external earth bolts)

Degree of protection

IP65

Ambient temperature

-40°C~+55°C

Terminal

3 x 1.5~2.5mm² (L+N+PE)

Cable entries

4 x M25 x 1.5 plugs

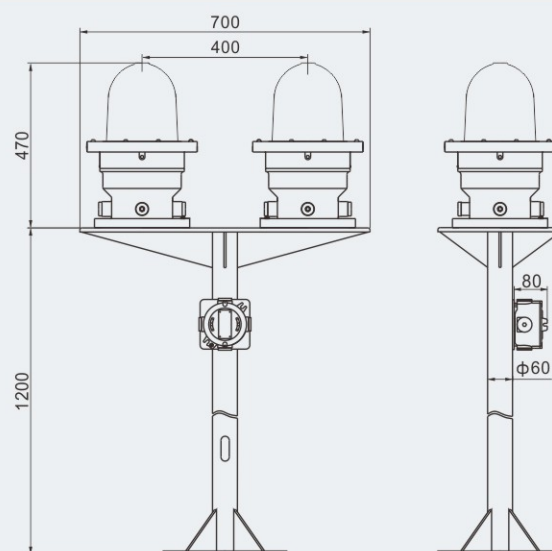
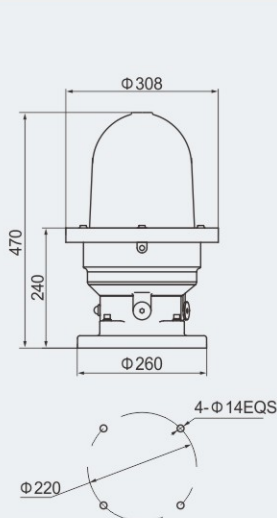
Cable gland (optional)

DQM-I (Ex e) is recommended. Please see P7/17~19.

Weight

13.8kg

Dimension drawings (all dimensions in mm) - subject to alteration



Drawings of main (spare) caution spotlight fittings

Note: The light fitting consists of two completely independent photoelectric control systems which can control the main and spare lamps respectively. Generally, the main lamp is used for night lighting, and it will be shut down automatically during the day. If the main lamp is damaged, the spare lamp will be started automatically to be substituted for main lamp.