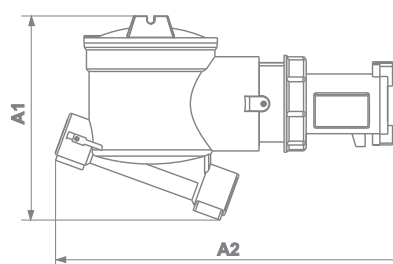
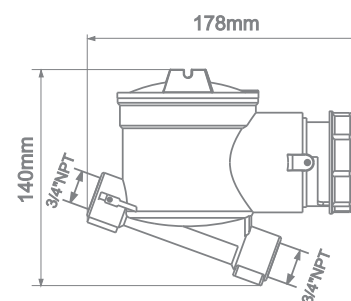
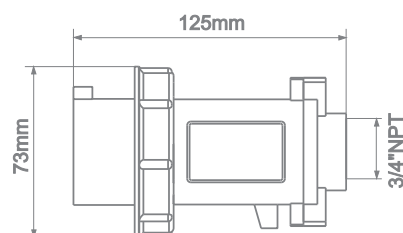
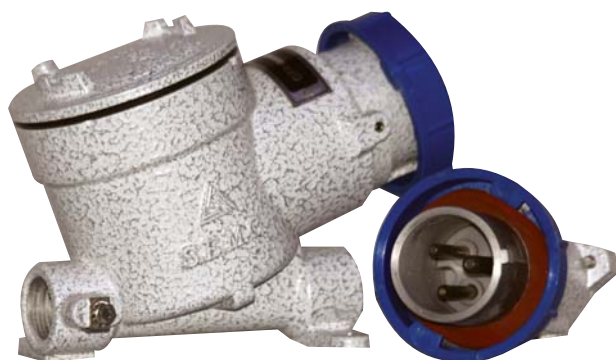


# 16A

## SOCKET & PLUGS

Zone 1,2,21,22



2014/34/EU  
IECEX System  
Management  
System  
Valid until:  
28.02.2021  
www.tsp.com  
ID: 9105068398



### SPECIFICATION

**TYPE :** Ex plug and socket (16A)

**Material**

-Body & cover :

Aluminum alloy, copper free aluminum(as an option)  
Polyamide cap with chain to prevent from losing  
Brass pins Nickel plated

**Marking:** Ex II 2 G D

**Application:**

Ex d II C T6 Gb , Ex t III C T80°C Db

**Ambient Temperature :** -30°C to +55°C/-20°C to +40°C

**Rated Voltage:** Up to 690v (see the ordering table)

**Rated current :** Up to 16A

**Internal switch conductor size :** For 16A 2xM5(up to 4mm<sup>2</sup>)

**Frequency :** 50/60 Hz

**Rated Marking/Breaking capacity :** AC-3

**Ingress protection :**

IP 66 to IEC 60529 when plug inserted to socket

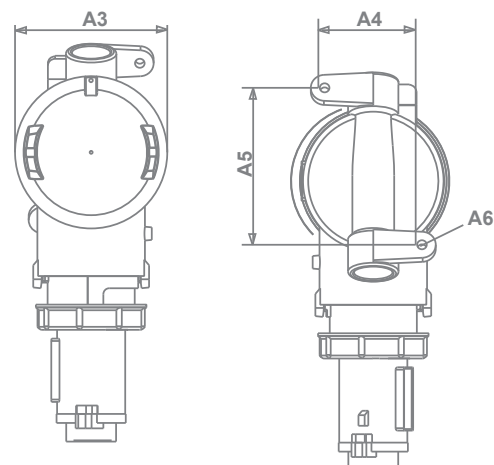
**Entries**

-Socket : 2x3/4"NPT,one plugged

(other thread forms available on request)

-Plugs : 1x3/4"NPT

EU type examination certificate:LOM 17ATEX1036X



Size code	A1	A2	A3	A4	A5	A6
16A	140	265	Ø91	55.5	107	Ø6.5

All information may be revised or changed by SHOMAL at anytime without prior notice or explanation.

# 16A

Ordering code system				
AA	Z	RE	C	XX
Body size	voltage( color)	RE: Socket PL:Plug	NO.OF PINS	Switching capacity
Socket Example			16 B RE 3 16	
Plug Example			16 B PL 3 16	



## SOCKET & PLUGS

Zone 1,2,21,22

Color code		
20 25 V	VIOLET	V
40 50 V	WHITE	W
(32A) 500V	BLACK	L
100 130 V	YELLOW	Y
200 250 V	BLUE	B
380 415 V	RED	R
(32A) 50V	GREEN	G
(63A): M.440V	SILVER	S

Body size
16
32
63



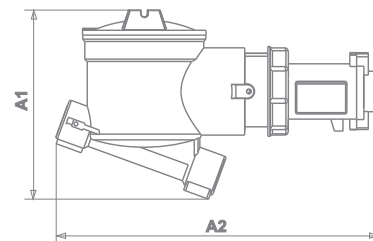
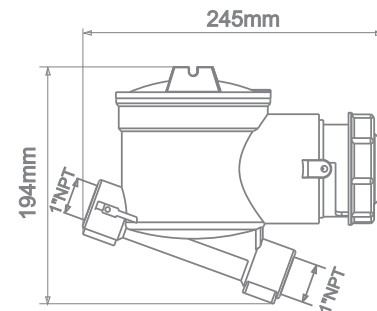
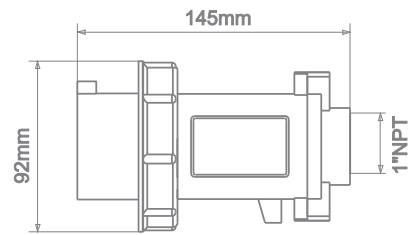
BODY SIZE	*ENTRY	SWITCHING CAPACITY	SOCKET(RE)	FREQUENCY(Hz)	NUMBER OF PINS	POLARITY	RATED VOLTAGE (V ca)	ARRANGMENT	ORDERING CODE (AA Z RE/PL C XX)
16	3/4 NPT	16A	RE	50/60	3	2P+E	20/25	5h	16 V RE 316
							40/50	12h	16 W RE 316
							100/130	4h	16 Y RE 316
							200/250	6h	16 B RE 316

\*other pin arrangement available upon request

# 32A

## SOCKET & PLUGS

Zone 1,2,21,22



2014/34/EU  
IECEx System  
Management  
System  
Valid until:  
28.02.2021  
www.tuv.com  
ID: 910506338



### SPECIFICATION

**TYPE :** Ex plug and socket (32A)

**Material**

-Body & cover :

Aluminum alloy, copper free aluminum(as an option)

Polyamide cap with chain to prevent from losing

Brass pins Nickel plated

**Marking:** Ex II 2 G D

**Application:**

Ex d II C T6 Gb , Ex t III C T80°C Db

**Ambient Temperature :** -30°C to +55°C/-20°C to +40°C

**Rated Voltage:** Up to 690v (see the ordering table)

**Rated current :** Up to 32A

**Internal switch conductor size :** For 32A 2xM5(up to 8mm<sup>2</sup>)

**Frequency :** 50/60 Hz

**Rated Marking/Breaking capacity :** AC-3

**Ingress protection :**

IP 66 to IEC 60529 when plug inserted to socket

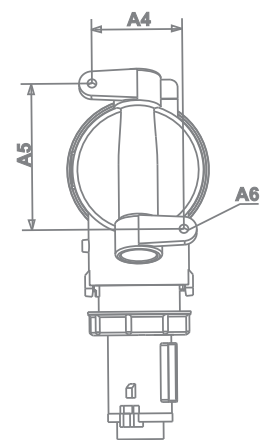
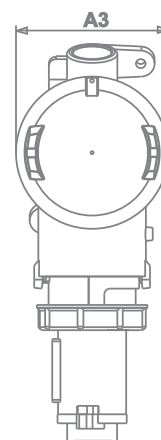
**Entries**

-Socket : 2x1 NPT,one plugged

(other thread forms available on request)

-Plugs : 1x1 NPT

EU type examination certificate:LOM 17ATEX1036X



Size code	A1	A2	A3	A4	A5	A6
32A	194	340	127	81	139	Ø8

All information may be revised or changed by SHOMAL at anytime without prior notice or explanation.

# 32A

Ordering code system				
AA	Z	RE	C	XX
Body size	voltage( color)	RE: Socket PL:Plug	NO.OF PINS	Switching capacity
Socket Example		32 Y RE 4 32		
Plug Example		32 Y PL 4 32		

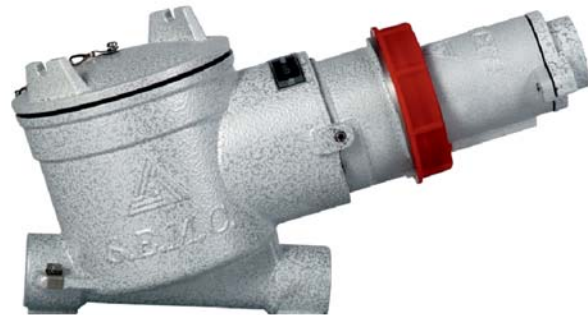


## SOCKET & PLUGS

Zone 1,2,21,22

Color code		
20 25 V	VIOLET	V
40 50 V	WHITE	W
(32A) 500V	BLACK	L
100 130 V	YELLOW	Y
200 250 V	BLUE	B
380 415 V	RED	R
(32A) 50V	GREEN	G
(63A): M.440V	SILVER	S

Body size
16
32
63



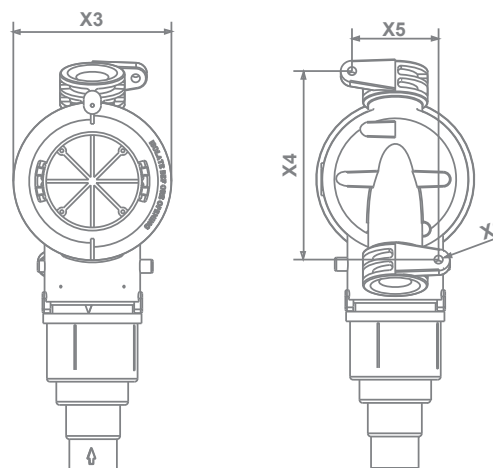
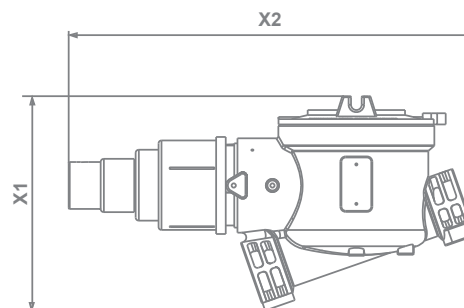
BODY SIZE	*ENTRY	SWITCHING CAPACITY	SOCKET(RE)	FREQUENCY(Hz)	NUMBER OF PINS	POLARITY	RATED VOLTAGE (V ca)	ARRANGEMENT	ORDERING CODE (AA Z RE/PL C XX)
32	NPT	32A			4	3P+E	20/25	5h	32 V RE 432
							50	2h	32 G RE 432
							100/130	4h	32 Y RE 432
							200/250	9h	32 B RE 432
							380/415	6h	32 R RE 432
							440	11h	32 R RE 432
							500	7h	32 B RE 432

\*other pin arrangement available upon request

# 63A

## SOCKET & PLUGS

Zone 1,2,21,22



2014/34/EU  
IECEx System  
Management  
System  
Valid until:  
28.02.2021  
www.tuv.com  
ID: 910506338



### SPECIFICATION

**TYPE :** Ex plug and socket (63A)

**Material**

**-Body & cover :**

Aluminum alloy, copper free aluminum(as an option)  
Aluminum cap with chain to prevent from losing  
Brass pins Nickel plated

**Marking:** Ex II 2 G D

**Application:**

Ex d II C T6 Gb , Ex t III C T80°C Db

**Ambient Temperature :** -30°C to +55°C/-20°C to +40°C

**Rated Voltage:** Up to 690v (see the ordering table)

**Rated current :** Up to 32A

**Internal switch conductor size :** 2xM6(up to 10mm<sup>2</sup>)

**Frequency :** 50/60 Hz

**Rated Marking/Breaking capacity :** AC-3

**Ingress protection :**

IP 66 to IEC 60529 when plug inserted to socket

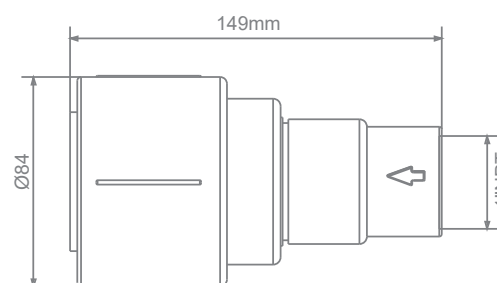
**Entries**

**-Socket :** 2x1 NPT,one plugged

(other thread forms available on request)

**-Plugs :** 1x1 NPT

**EU type examination certificate:**LOM 17ATEX1036X



Size code	X1	X2	X3	X4	X5	X6
63A	200	380	Ø146	184	83	Ø8

All information may be revised or changed by SHOMAL at anytime without prior notice or explanation.

# 63A

Ordering code system				
AA	Z	RE	C	XX
Body size	voltage( color)	RE: Socket PL:Plug	NO.OF PINS	Switching capacity
Socket Example		63 S RE 4 63		
Plug Example		63 S PL 4 63		



## SOCKET & PLUGS

Zone 1,2,21,22

Color code		
20 25 V	VIOLET	V
40 50 V	WHITE	W
(32A) 500 V	BLACK	L
100 130 V	YELLOW	Y
200 250 V	BLUE	B
380 415 V	RED	R
(32A) 50V	GREEN	G
(63A): M.440V	SILVER	S

Body size
16
32
63



BODY SIZE	SOCKET(RE)	FREQUENCY(Hz)	ENTRY	NUMBER OF PINS	POLARITY	SWITCHING CAPACITY	ORDERING CODE (AA Z RE/PL C XX)
63	RE	50/60	1 NPT	3	2P+E	10A	63 S RE 3 10
					2P+E	15A	63 S RE 3 15
					2P+E	20A	63 S RE 3 20
					2P+E	30A	63 S RE 3 30
					2P+E	40A	63 S RE 3 40
					2P+E	50A	63 S RE 3 50
					2P+E	63A	63 S RE 3 63
				4	3P+E	10A	63 S RE 4 10
					3P+E	15A	63 S RE 4 15
					3P+E	20A	63 S RE 4 20
					3P+E	30A	63 S RE 4 30
					3P+E	40A	63 S RE 4 40
					3P+E	50A	63 S RE 4 50
					3P+E	63A	63 S RE 4 63

\*other pin arrangement available upon request