

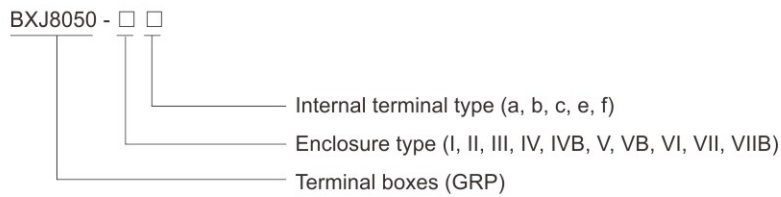
Terminal Boxes

BXJ8050 Series Terminal Boxes



- ◆ Explosion protection to
 - CENELEC
 - IEC
 - NEC
- ◆ Can be used in
 - Zone 0, Zone 1 and Zone 2
 - Zone 21 and Zone 22
 - Class I, Zone 1 and Zone 2
 - Class I, Division 2, Groups A , B, C, D
- ◆ GRP (glass fibre-reinforced polyester resin) enclosure.

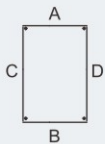

■ Catalogue number logic



Zones 0&1&2; 21&22

Terminal Boxes BXJ8050 Series Terminal Boxes

Technical data																						
Terminal boxes (Ex e IIC Ex ia IIC) BXJ8050-□□																						
Explosion protection	IECEX CQM 13.0031X																					
Global (IECEX)	Ex e IIC T6 or T5 Gb																					
Gas and dust	Ex ia IIC T6 Ga																					
Europe (ATEX)	Ex tb IIIC T80°C Db IP66																					
Gas and dust	LCIE 13 ATEX 3036X																					
	⊕ II 2 G Ex e IIC T6 or T5 Gb																					
	⊕ II 1 G Ex ia IIC T6 Ga																					
	⊕ II 2 D Ex tb IIIC T80°C Db IP66																					
Certificates	IECEX; ATEX; CU-TR																					
Conformity to standards	EN 60079-0, EN 60079-7, EN 60079-11, EN 60079-31 IEC 60079-0, IEC 60079-7, IEC 60079-11, IEC 60079-31																					
Enclosure material	GRP (glass fibre-reinforced polyester resin)																					
Terminal	International brand of explosion-proof terminal blocks																					
Exposed fastener	Stainless steel																					
Rated voltage	Max. 690V AC																					
Rated current	<table border="1"> <thead> <tr> <th>Cross section</th> <th>2.5mm²</th> <th>4mm²</th> <th>6mm²</th> <th>10mm²</th> <th>16mm²</th> <th>35mm²</th> </tr> </thead> <tbody> <tr> <td>Ex e Rated current</td> <td>24A</td> <td>32A</td> <td>41A</td> <td>57A</td> <td>76A</td> <td>125A</td> </tr> <tr> <td>Ex ia Rated current</td> <td>5A</td> <td>5A</td> <td>5A</td> <td>-</td> <td>-</td> <td>-</td> </tr> </tbody> </table>	Cross section	2.5mm ²	4mm ²	6mm ²	10mm ²	16mm ²	35mm ²	Ex e Rated current	24A	32A	41A	57A	76A	125A	Ex ia Rated current	5A	5A	5A	-	-	-
Cross section	2.5mm ²	4mm ²	6mm ²	10mm ²	16mm ²	35mm ²																
Ex e Rated current	24A	32A	41A	57A	76A	125A																
Ex ia Rated current	5A	5A	5A	-	-	-																
Degree of protection	IP66, IP67 (optional)																					
Ambient temperature	Ex e: T6 for Tamb: -40°C ~ +40°C; T5 for Tamb: -40°C ~ +55°C Ex ia: T6 for Tamb: -40°C ~ +55°C																					
Note	Ex e Rated current > 125A on request.																					

Cable entry table										
Table of max. number of possible enclosure entries with cable glands DQM-I										
		Size								
		M20 × 1.5	M25 × 1.5	M32 × 1.5	M40 × 1.5	M50 × 1.5	M63 × 1.5	M75 × 1.5	M90 × 1.5	M115 × 1.5
I	A/B	2	2	1	/	/	/	/	/	/
	C/D	2	2	1	/	/	/	/	/	/
II	A/B	3	3	2	2	1	/	/	/	/
	C/D	6	6	2	2	2	/	/	/	/
III	A/B	8	5	5	3	2	1	/	/	/
	C/D	6	5	3	2	2	1	/	/	/
IV	A/B	8	6	5	3	2	1	/	/	/
	C/D	12	10	8	4	3	2	/	/	/
IVB	A/B	8	6	5	4	3	1	/	/	/
	C/D	12	10	8	5	4	3	/	/	/
V	A/B	14	12	10	5	4	3	/	/	/
	C/D	12	10	8	4	3	2	/	/	/
VB	A/B	14	12	10	5	4	3	/	/	/
	C/D	12	10	8	5	4	3	/	/	/
VI	A/B	14	12	10	5	4	3	/	/	/
	C/D	26	20	15	10	5	3	/	/	/
VII / VIIB	A/B	14	12	10	5	4	3	/	/	/
	C/D	25	21	17	10	6	6	/	/	/
Note: For cable entries:										
1) Please specify the direction and size of each cable entry.										
2) Cable gland is optional, DQM-I (Ex e) is recommended. Please see P7/17~19.										



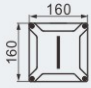

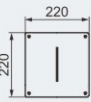
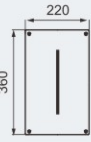
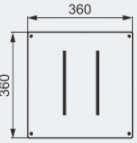
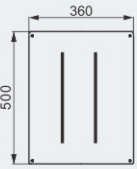

Terminal Boxes

BXJ8050 Series Terminal Boxes

Selection table of BXJ8050 series terminal boxes

Max. cross section of cable connected to terminals is 35mm²

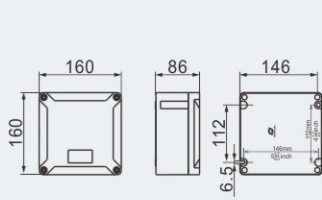
See table for max. number of fitted terminals

Enclosure code/Ordering code	Cross section of cable (mm ²) Outline	2.5 (a)	4 (b)	6 (c)	10 (d)	16 (e)	35 (f)	Max. dissipated power (W)	Weight (kg)
I		16	14	10	—	—	—	2.30	1.20
II		30	25	20	18	15	—	6.50	2.10
III		25	20	18	15	—	—	7.92	2.00
IV		40	40	30	25	20	—	14.32	3.25
IVB									4.00
V		80	80	60	50	40	—	28.08	4.15
VB									5.20
VI		110	110	85	70	55	22	26.00	5.76
VII		160	160	120	100	80	30	25.00	14.55
VIIB									16.75

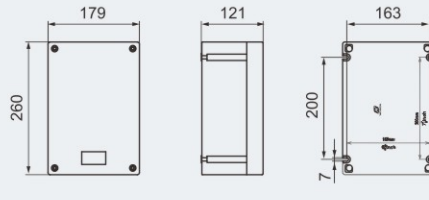


Terminal Boxes BXJ8050 Series Terminal Boxes

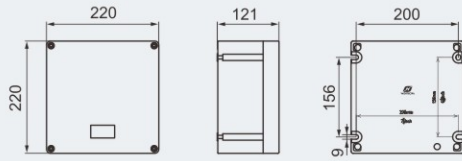
Dimension drawings (all dimensions in mm) - subject to alteration



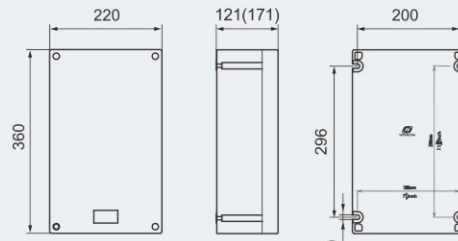
Type I



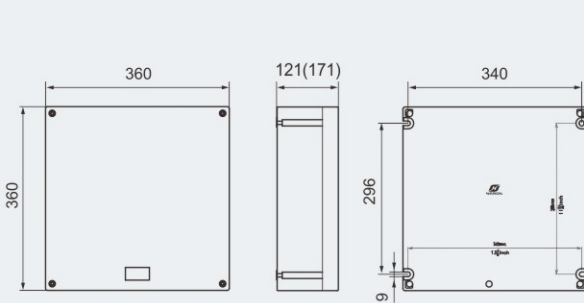
Type II



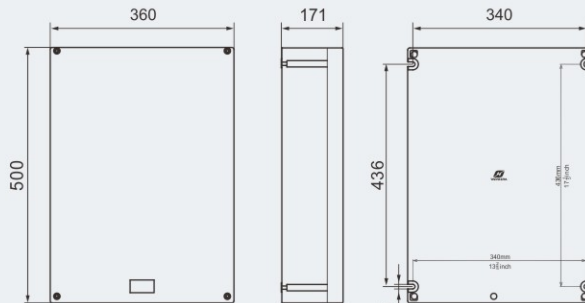
Type III



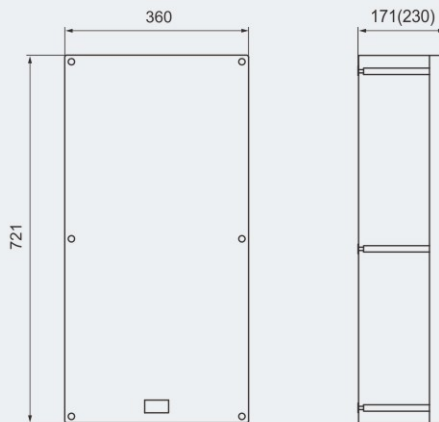
Type IV, IVB



Type V, VB



Type VI



Type VII, VIIB

