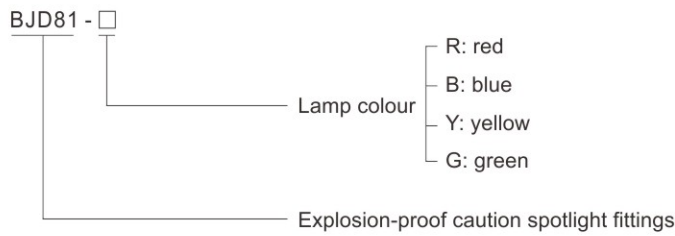


Local, Caution Spotlight Fittings BJD81 Series Explosion-proof Caution Spotlight Fittings



- ◆ Explosion protection to
 - CENELEC
 - IEC
 - NEC
- ◆ Can be used in
 - Zone 1 and Zone 2
 - Zone 21 and Zone 22
 - Class I, Zone 1 and Zone 2
 - Class I, Division 1, Groups A, B, C, D
- ◆ Ultra-bright LED lamp, low power consumption and long service life.
- ◆ Lamp colour: red, blue, yellow, green.
- ◆ Enclosure in Copper-free Aluminium Alloy, powder coated surface, yellow (RAL1021).

■ Catalogue number logic



■ Selection table

Type/Ordering code	Weight(kg)
BJD81-R	2.50
BJD81-B	2.50
BJD81-Y	2.50
BJD81-G	2.50

Zones 1&2; 21&22

Local, Caution Spotlight Fittings

BJD81 Series Explosion-proof Caution Spotlight Fittings

Technical data

Explosion-proof caution spotlight fittings BJD81-□

Explosion protection

Global (IECEX)

Gas and dust

IECEX CQM 12.0038X

Ex d IIC T6 Gb

Ex t IIIC T80°C Db IP66

Europe (ATEX)

Gas and dust

LCIE 11 ATEX 3109X

⊕ II 2 G Ex d IIC T6 Gb

⊕ II 2 D Ex t IIIC T80°C Db IP66

Certificates

IECEX; ATEX; CU-TR

Conformity to standards

EN 60079-0, EN 60079-1, EN 60079-31

IEC 60079-0, IEC 60079-1, IEC 60079-31

Material

Enclosure

Transparent cover

Exposed fastener

Copper-free Aluminium Alloy, powder coated surface, yellow (RAL1021)

Toughened glass, stands 4J impact

Stainless steel

Rated voltage

220~240V AC 50/60Hz; 24V DC/AC

Lamp

Lamp specification

Lamp power (W)

Lamp colour

LED

3W

Red, blue, yellow, green

Flash frequency

70 (times/min)

Earthing protection

M5 (internal & external earth bolts)

Degree of protection

IP66, IP67 (optional)

Ambient temperature

-40°C~+55°C

Terminal

3 x 1.5~2.5mm² (L+N+PE)

Cable entries

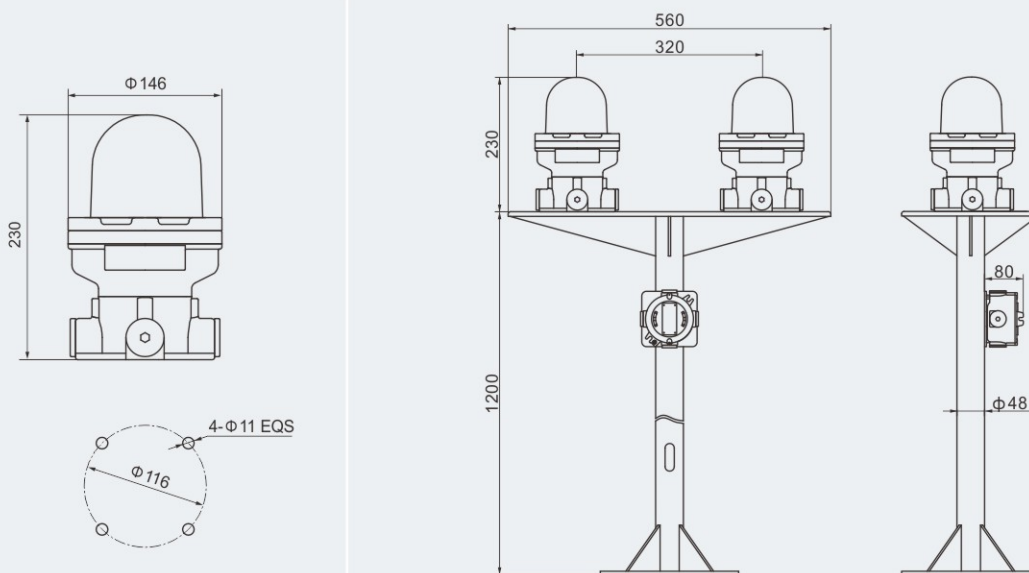
4 x M25 x 1.5 plugs

Cable gland (optional)

DQM-II (Ex d) or DQM-III (Ex d) is recommended. Please see P7/20~31.



Dimension drawings (all dimensions in mm) - subject to alteration



Drawings of main (spare) caution spotlight fittings

The light fitting consists of two completely independent lamp circuit boards which can control the main and spare lamps respectively. Generally, the main lamp is working. If the main lamp is damaged, the spare lamp will be started automatically to be substituted for main lamp.